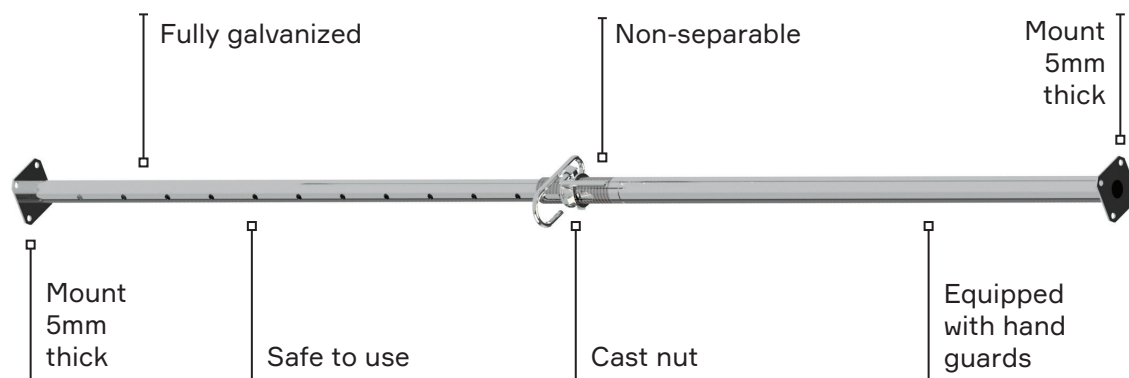


PS-CTW Passport

TELESCOPIC RACK **CTW**



DESCRIPTION

Telescopic column (jack stand) CTW. Allows for the formwork to be mounted at different height levels. It works individually and as a system.

APPLICATION

- Perception of the vertical loads from the shuttering boards or other horizontal components
- Supporting the slab formwork table
- Usage as a temporary support in order to keep horizontal elements fixed in place during assembly or disassembly

STANDARD CONTENTS

Upright	CTW - 3,1	CTW - 3,7	CTW - 4,2	CTW - 4,5
Minimum height, H min/mm	1760	2110	2360	2530
Maximum height, H max/mm	3100	3700	4200	4500
Product weight, kg	13,21	15,5	17,1	18,23
Minimum load, kg	3000	3000	3000	3000
Maximum load, kg	2200	2000	1200	1000

MAIN TECHNICAL DATA OF THE PRODUCT

Structure: upper support, fixing ring, special nut, lower support.

The lower support is made of galvanized pipe (60 x 2,5 mm) with a fixed square plate at one end and a thread at the other.

In the central part of the threaded end there is a through slot.

From the side of the threaded end inside the lower support tube is a coaxially mounted withdrawable tube with the possibility of longitudinal movement - upper diameter of the support 51x2.5 (3) mm, along the longitudinal axis of which transverse holes are placed throughout with spacing 125 mm, in which the earring is inserted, resting on the nut end, placed on the threaded part of the lower support.

The uprights use open nuts.

The rack is non-separable: the upper support does not come completely out of the lower support.

The CTW upright feature is to protect the builder's hands from possible crushing and impact from sliding or extending the post.

PRODUCT STRUCTURE AND INSTALLATION

The CTW is used in conjunction with the Unifork and Tripod products.

Unifork is designed for fixation and reliable support of wooden girder of the slab formwork table on the post.

The tripod is designed for vertical fixation of the rack, its vertical centering, as well as to ensure stability of the rack during installation of the slab formwork table.

The order of installation at the construction site is as follows:

- At the prepared site, in accordance with the site design documentation, the tripod is installed, with the swivel legs positioned so as to ensure its maximum stability, taking into account the configuration of the supporting surface.
- Raise the tripod locking device up to the stop, install the CTW post and lower the locking device, which, sliding on the inclined tube, clamps the post.
- After inserting the uprights into the tripods, all the uprights are aligned in height
- Assemble the slab formwork panels in the following order:
 1. The longitudinal (bottom) girder is placed in the unifork
 2. The cross girder or beam (upper girder) is stacked on top of the longitudinal girder or beam (upper girder).
 3. With the help of the leveling nut the formwork table is precisely adjusted
 4. After the exact alignment, the plywood is assembled

TRANSPORTATION AND STORAGE

Products may be transported by any mode of transport without any distance limitation, under transportation conditions as per Category 8 of GOST 15150.

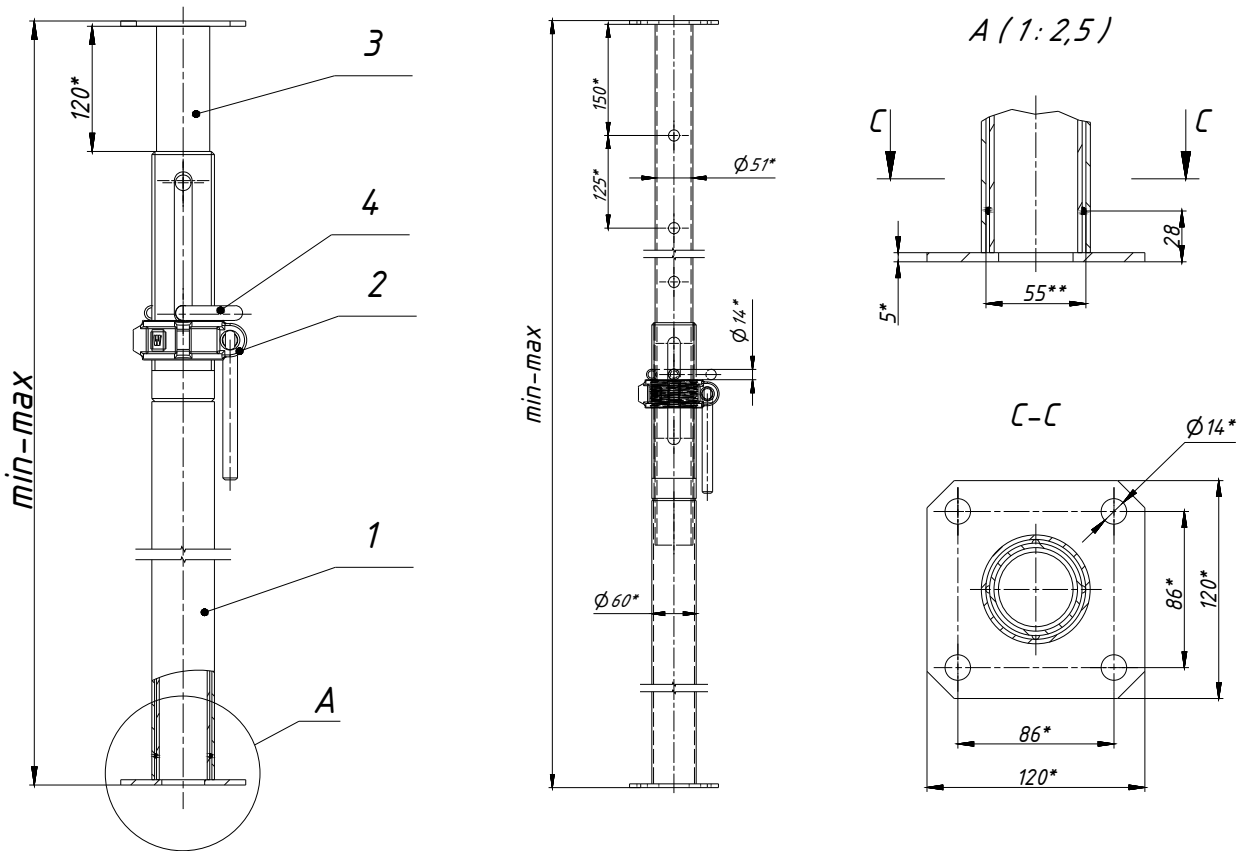
It is not allowed to dump the products from transportation vehicles during unloading.

Storage of the products is allowed under storage category no more than category 7, outlined in GOST 15150-69.

Storage period: no more than 5 years. During long-term storage products must be placed on pads which prevent them from contacting the ground.

Periodic inspection of the products should be carried out by the manufacturer and consist of visual inspection in order to verify the serviceable condition of the product parts.

Parts with detected defects must be replaced.



SAFETY MEASURES

Installation and operation of CTW supports should be carried out in accordance with the requirements of PPW (Planning and Production Work) 12-03-2001 "Safety engineering in construction".

The load must not exceed the load specified in the passport.

Installation of the product must strictly comply with the instructions.

The workers must be at least 18 years old, have passed a medical examination and safety training on safe working practices and have the appropriate certificate.

During work, the installer is obliged to:

- Wear overalls.
- Use only company issued mounting equipment
- Do not use heavy objects (sledgehammers, crowbars, etc.)
- Installation with or without a deviation from the PPW (Planning and Production work) is NOT allowed.
- Do not throw items off any vehicles in order to avoid deforming them
- Bent and deformed telescopic racks are prohibited from use.

CERTIFICATE OF CONFORMITY

RU.MCC.201.390.35211
Meets the requirements of
TU 5225-002-63599854-
2010
"Telescopic support stand.
Technical conditions".



MANUFACTURER’S WARRANTY OBLIGATIONS

The manufacturer guarantees conformity of the products to the requirements of TU and this passport for the product if the customer follows the conditions of transportation, storage and operation.

Warranty service duration of the products: at least 12 months from the date of shipment to the customer, subject to compliance with installation and operation rules.

CERTIFICATE OF ACCEPTANCE

Products comply with TU 5225-002-63599854-201 and are considered suitable for operation.

QC inspector _____
Seal of QC

Issue date _____

Account number

Shipment date _____
(stamp spot)

+7 (495) 118 29 69

Russia, 249051, Kaluga reg,
Maloyaroslavets region,
v. Kollontai, Zarechnaya 2.

bazisholding.ru

